

Dell™ PowerEdge™ 2x50, PowerApp™ 2xx, and PowerVault™ 735N Systems

RACK INSTALLATION GUIDE

ラックインストールガイド



www.dell.com
support.dell.com

DELL  **COM**™

Dell™ PowerEdge™ 2x50, PowerApp™ 2xx, and PowerVault™ 735N Systems

RACK INSTALLATION

Notes, Notices, Cautions, and Warnings

Throughout this guide, blocks of text may be accompanied by an icon and printed in bold type or in italic type. These blocks are notes, notices, cautions, and warnings, and they are used as follows:



NOTE: A NOTE indicates important information that helps you make better use of your computer system.

NOTICE: A NOTICE indicates either potential damage to hardware or loss of data and tells you how to avoid the problem.



CAUTION: A CAUTION indicates a potentially hazardous situation which, if not avoided, may result in minor or moderate injury.



WARNING: A WARNING indicates a potentially hazardous situation which, if not avoided, could result in death or serious bodily injury.

Information in this document is subject to change without notice.

© 2000 Dell Computer Corporation. All rights reserved.

Reproduction in any manner whatsoever without the written permission of Dell Computer Corporation is strictly forbidden.

Trademarks used in this text: *Dell*, the *DELL E COM* logo, *PowerEdge*, *PowerApp*, *PowerVault*, and *RapidRails* are trademarks of Dell Computer Corporation.

Other trademarks and trade names may be used in this document to refer to either the entities claiming the marks and names or their products. Dell Computer Corporation disclaims any proprietary interest in trademarks and trade names other than its own.



Safety Instructions

Use the following safety guidelines to ensure your own personal safety and to help protect your server, storage system, or appliance from potential damage. For complete safety, regulatory, and warranty information, refer to your system's *System Information* booklet.

Notes, Notices, Cautions, and Warnings

Throughout this guide, blocks of text may be accompanied by an icon and printed in bold type or in italic type. These blocks are notes, notices, cautions, and warnings, and they are used as follows:



NOTE: A NOTE indicates important information that helps you make better use of your computer system.

NOTICE: A NOTICE indicates either potential damage to hardware or loss of data and tells you how to avoid the problem.



CAUTION: A CAUTION indicates a potentially hazardous situation which, if not avoided, may result in minor or moderate injury.



WARNING: A WARNING indicates a potentially hazardous situation which, if not avoided, could result in death or serious bodily injury.

Precautions for Rack-Mountable Products

Observe the following precautions for rack stability and safety. Also refer to the rack installation documentation accompanying the system and the rack for specific warning and/or caution statements and procedures.

Servers, storage systems, and appliances are considered to be components in a rack. Thus, "component" refers to any server, storage system, or appliance, as well as to various peripherals or supporting hardware.



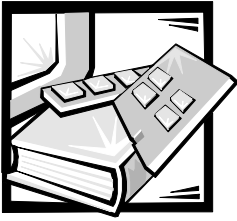
WARNING: Installing Dell system components in a Dell rack without the front and side stabilizers installed could cause the rack to tip over, potentially resulting in bodily injury under certain circumstances. Therefore, always install the stabilizers before installing components in the rack.

After installing system/components in a rack, never pull more than one component out of the rack on its slide assemblies at one time. The weight of more than one extended component could cause the rack to tip over and injure someone.



NOTE: Dell's servers, storage systems, and appliances are certified as components for use in Dell's rack cabinet using the Dell customer rack kit. The final installation of Dell systems and rack kits in any other brand of rack cabinet has not been approved by any safety agencies. It is the customer's responsibility to have the final combination of Dell systems and rack kits for use in other brands of rack cabinets evaluated for suitability by a certified safety agency.

- System rack kits are intended to be installed in a Dell rack by trained service technicians. If you install the kit in any other rack, be sure that the rack meets the specifications of a Dell rack.
- Do not move large racks by yourself. Due to the height and weight of the rack, Dell recommends a minimum of two people to accomplish this task.
- Before working on the rack, make sure that the stabilizers are secure to the rack, extend to the floor, and that the full weight of the rack rests on the floor. Install front and side stabilizers on a single rack or front stabilizers for joined multiple racks before working on the rack.
- Always load the rack from the bottom up, and load the heaviest item in the rack first.
- Make sure that the rack is level and stable before extending a component from the rack.
- Use caution when pressing the component rail release latches and sliding a component into or out of a rack; the slide rails can pinch your fingers.
- After a component is inserted into the rack, carefully extend the rail into a locking position, and then slide the component into the rack.
- Do not overload the AC supply branch circuit that provides power to the rack. The total rack load should not exceed 80 percent of the branch circuit rating.
- Ensure that proper airflow is provided to components in the rack.
- Do not step on or stand on any system/component when servicing other systems/components in a rack.



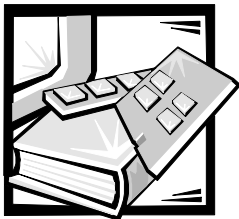
Contents

Rack Kit Contents	1-1
Before You Begin	1-2
Recommended Tools	1-2
Installing the Rack Kit	1-3
Removing the Doors From a 24-U or 42-U Rack	1-3
Installing the Slide Assemblies in the Rack	1-8
Installing the Systems in the Rack	1-11
Installing the Cable-Management Arm	1-13
Replacing the Doors	1-15

Index

Figures

Figure 1-1. Rack Kit Contents	1-2
Figure 1-2. Opening the 24-U Rack Cabinet Front Door Latch	1-4
Figure 1-3. Opening the 42-U Rack Cabinet Front Door Latch	1-5
Figure 1-4. Removing the 24-U Rack Cabinet Doors	1-6
Figure 1-5. Removing the 42-U Rack Cabinet Doors	1-7
Figure 1-6. One Rack Unit	1-8
Figure 1-7. Using Template to Mark Vertical Rails	1-9
Figure 1-8. Installing the Slide Assemblies	1-10
Figure 1-9. Removing the System Bezel	1-11
Figure 1-10. Installing the System in the Rack	1-12
Figure 1-11. Installing the Cable-Management Arm	1-13
Figure 1-12. Attaching the Strain-Relief Bracket	1-14



Dell™ PowerEdge™ 2x50, PowerApp™ 2xx, and PowerVault™ 735N Systems Rack Installation Guide

This installation guide provides instructions for trained service technicians to install one or more Dell PowerEdge 2x50, PowerApp 2xx, and PowerVault 735N systems in a Dell rack. One rack kit is required for each system to be installed in the rack.

Rack Kit Contents

The rack kit includes the following items (see Figure 1-1):

- One pair of RapidRails™ slide assemblies
- One cable-management arm
- One strain-relief bracket
- One template



NOTE: If you purchased a Dell rack along with your system, the slide assemblies may be preinstalled in the rack.

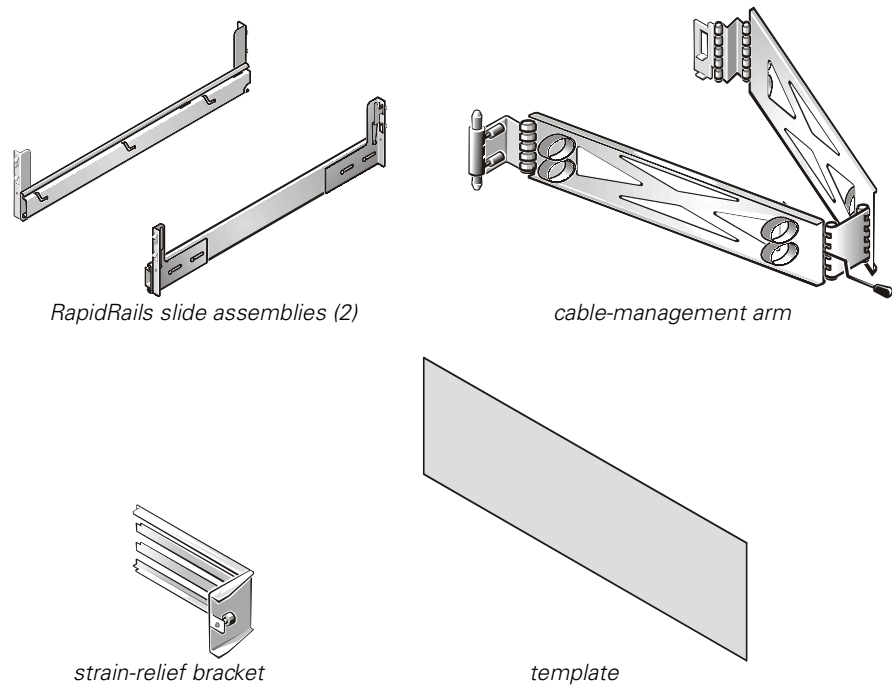


Figure 1-1. Rack Kit Contents

Before You Begin

Before you begin installing your system in the rack, carefully read the safety instructions found earlier in this guide.

Recommended Tools

Although no tools are required to install the rack kit, you might find the following items make the installation easier:

- An installation template, helpful in slide assembly placement and alignment
- Masking tape or a felt-tip pen, for use in marking the mounting holes to be used



Installing the Rack Kit

NOTE: For instructions on installing the system itself, see “Installing the System in the Rack” found later in this guide.

To install the rack kit in the rack, perform the following steps:

1. Remove the rack's front and back doors.
2. Install the slide assemblies in the rack.

The subsections that follow include instructions for performing these tasks.

Removing the Doors From a 24-U or 42-U Rack

You must remove the doors from the rack to provide access to the interior of the rack and to prevent damage to the doors while installing the system.

This procedure provides instructions for removing doors from Dell 24-U and 42-U racks. If you have a Dell PowerEdge 4210 rack, see the procedures contained in the *Dell PowerEdge 4210 Rack Installation Guide*.

To remove the doors, perform the following steps.



CAUTION: To prevent personal injury due to the size and weight of the doors, never attempt to remove the doors by yourself.

1. Open the latch on the front door.

If you have a 24-U (1 U=1.75 inches) rack cabinet, unlock and twist the handle clockwise and open the door (see Figure 1-2).

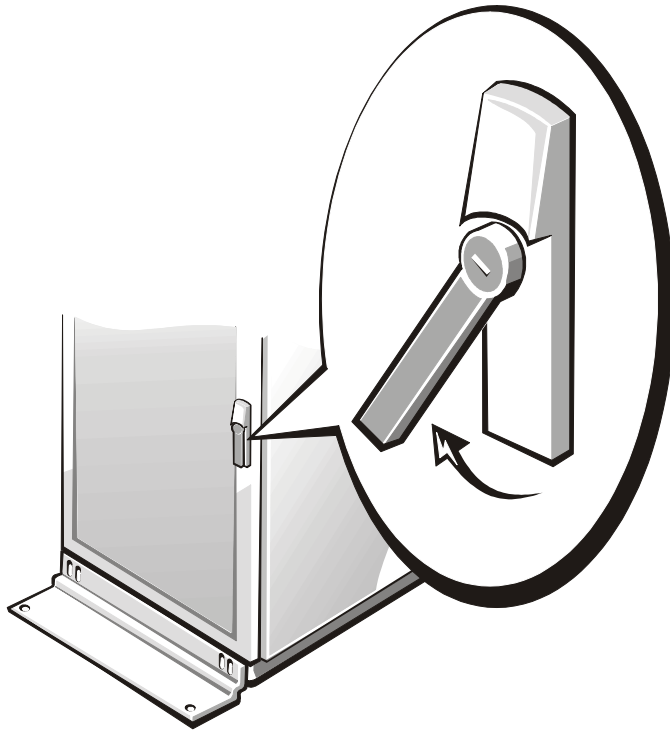


Figure 1-2. Opening the 24-U Rack Cabinet Front Door Latch

If you have a 42-U rack cabinet, slide the latch's push-button cover up as far as it will go, press the push button, rotate the handle clockwise until the latch releases, and then pull the door open (see Figure 1-3).

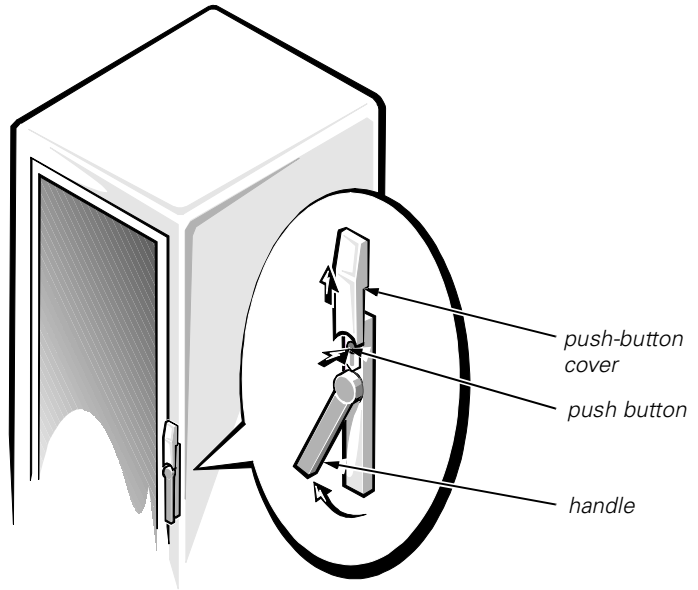


Figure 1-3. Opening the 42-U Rack Cabinet Front Door Latch

2. Remove the front door of the rack.

If you have a 24-U rack cabinet, perform the following steps (see Figure 1-4):

- a. With the door open, lift out and fully retract all hinge pins.
- b. Lift the door out carefully.

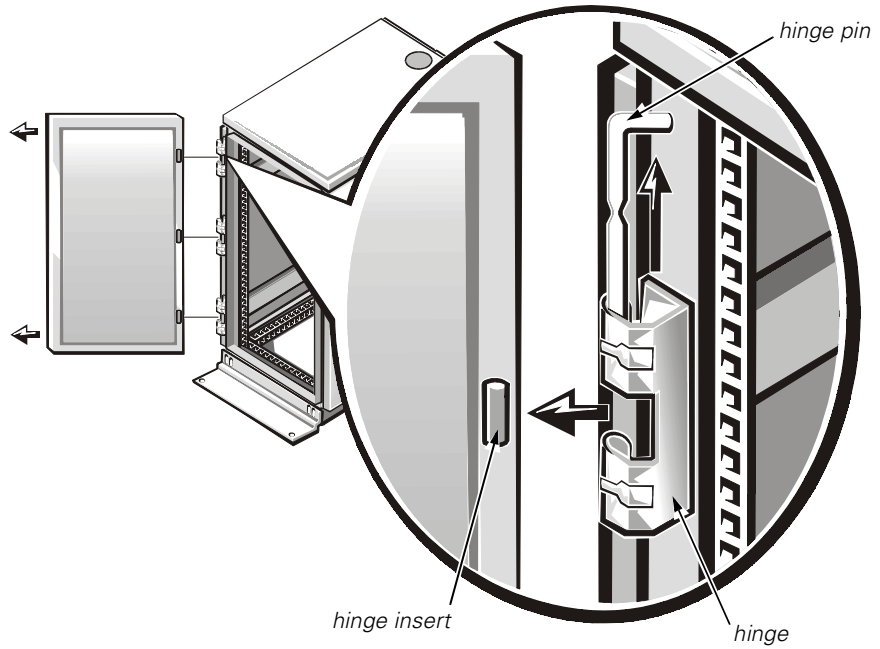


Figure 1-4. Removing the 24-U Rack Cabinet Doors

If you have a 42-U rack cabinet, perform the following steps (see Figure 1-5):

- a. One person should grasp the top of the door to stabilize it. The other person should grasp the bottom of the door.
- b. The person holding the bottom of the door should press the release lever on the bottom hinge and then pull the bottom of the door away from the rack cabinet a few inches.
- c. The person holding the top of the door should press the release lever on the top hinge and then pull the door away from the rack.

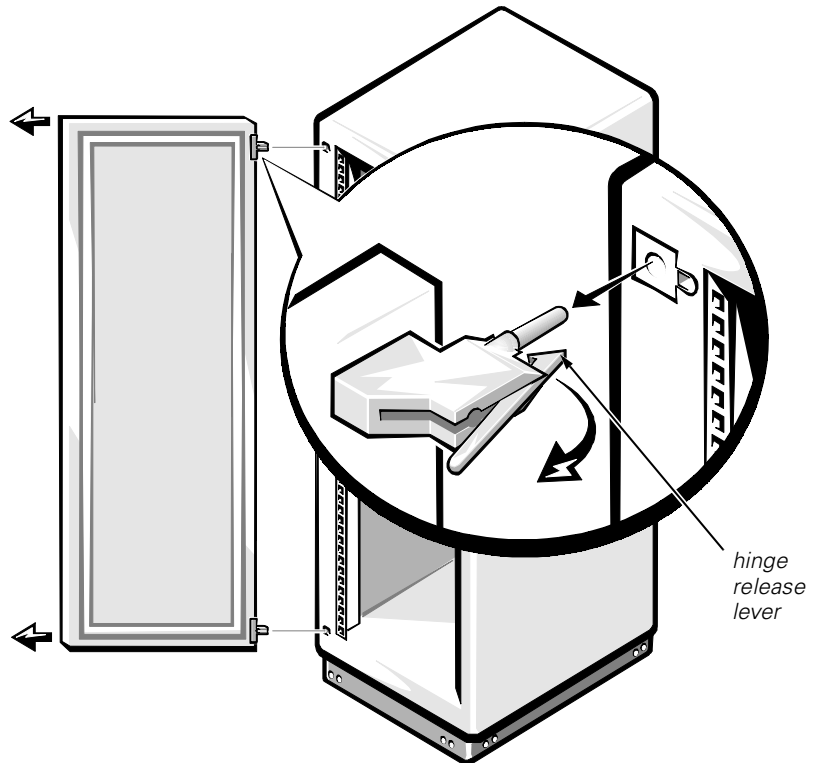


Figure 1-5. Removing the 42-U Rack Cabinet Doors

3. Repeat steps 1 and 2 to remove the back door from the rack.
4. Store the doors in an area where they cannot fall over while you install the kit.

Installing the Slide Assemblies in the Rack



NOTE: If the slide assemblies were preinstalled by Dell, you can skip this section.

You must allow 2 U (3.5 inches) of vertical space for each system you install in the rack.



NOTE: The vertical rails of the rack are marked by small indentations in 1-U increments (see Figure 1-6).

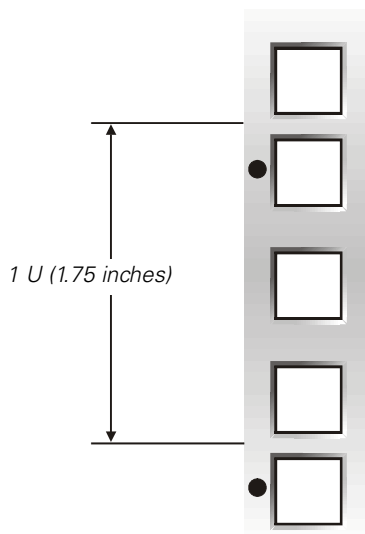


Figure 1-6. One Rack Unit

For more information about requirements for installing components in a Dell rack, see the Dell Rack Advisor software available on the Dell Web site at <http://support.dell.com>.



CAUTION: If you are installing more than one system, install the slide assemblies so that the first system is installed in the lowest available position in the rack.

To install the slide assemblies in the rack, perform the following steps:

1. Place the front of the template on the vertical rails at the front of the rack where you want to install the system.

Ensure that the printing on the template identifies the side facing outward as the template front.

2. Mark the rack's front vertical rails with a felt-tipped marker or place self-adhesive masking tape where the system's upper and lower edges will be located (see Figure 1-7).
3. Make a mark or place tape on the vertical rails next to the template's V-shaped notches.

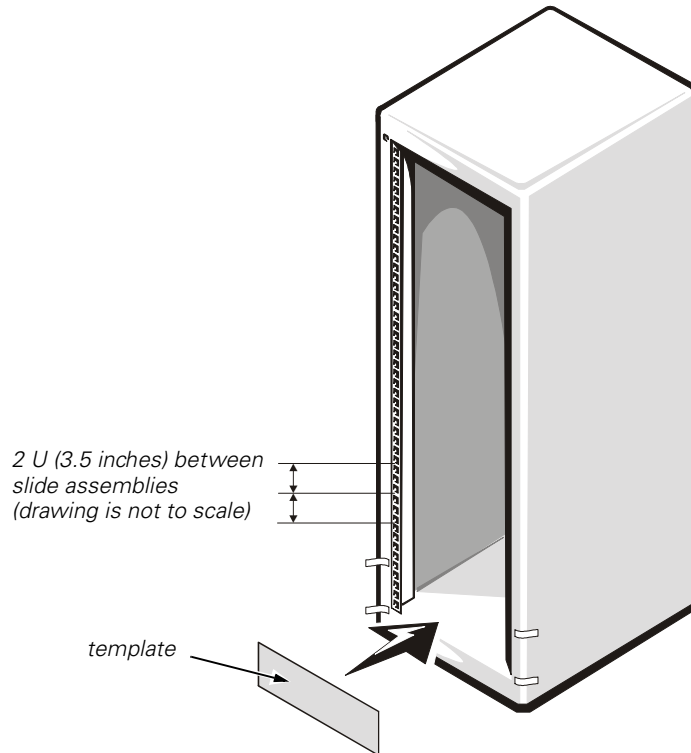


Figure 1-7. Using Template to Mark Vertical Rails

4. At the front of the rack cabinet, position one of the slide assemblies so that its mounting bracket flange fits between the marks or tape you placed on the rack, marking the upper and lower edges of the template (see Figure 1-8).

The hooks on the mounting bracket should align with the marks you made from the V-shaped notches in the template.
5. Align the slide-assembly mounting-bracket flange (on the front of the slide assembly) with the square holes in the front vertical rail (see Figure 1-8).
6. Push forward until the mounting tabs are secure in the square holes on the vertical rail and the push-button clicks and pops out.
7. Push back on the back slide assembly mounting bracket flange until the mounting tabs lock into the square holes on the back vertical rail.

- Repeat steps 1 through 7 for the remaining slide assembly on the other side of the rack.

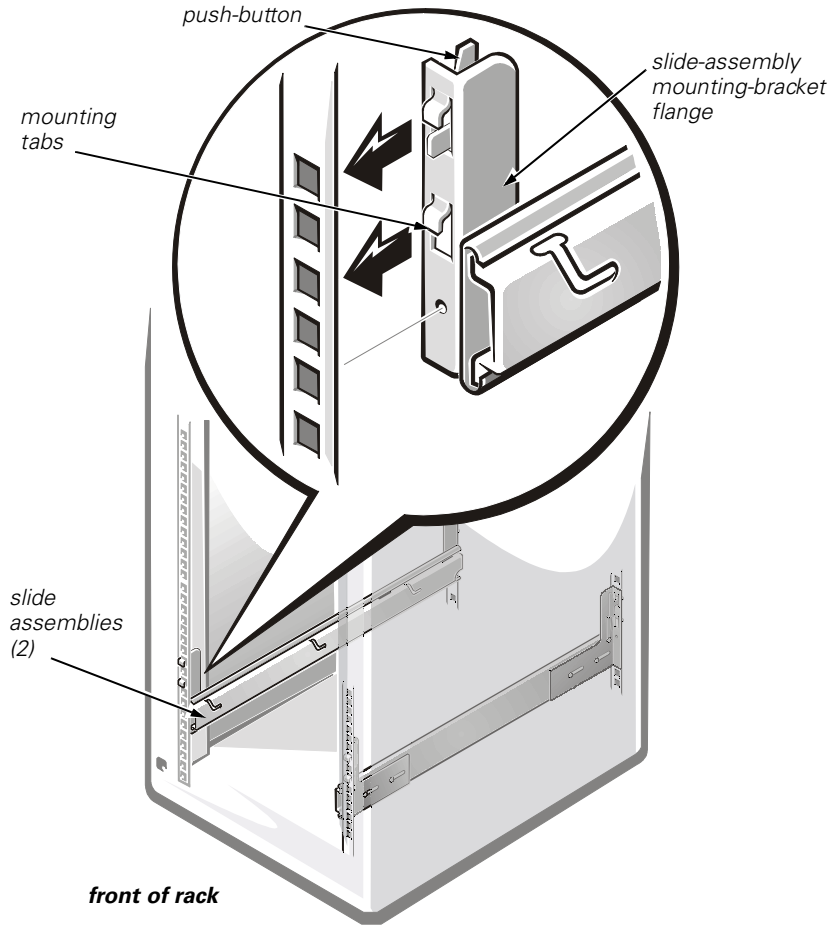


Figure 1-8. Installing the Slide Assemblies

Installing the Systems in the Rack

The subsections that follow include instructions for installing the systems in the rack.



CAUTION: If you are installing more than one system, install the first system in the lowest available position in the rack. Never pull more than one component out of the rack at a time.

1. Pull the two interior slide assemblies out of the rack until they lock in the extended position.



CAUTION: Because of the size and weight of the system, never attempt to install the system in the slide assemblies by yourself.



NOTE: Skip to step 3 if your system does not have the optional bezel installed.

2. Remove the optional bezel from the system front panel (see Figure 1-9):
 - a. Unlock and open the system doors.
 - b. Pivot the two locking levers toward the back of the chassis (see Figure 1-9).
 - c. Press the tab on each end of the bezel and remove the bezel from the chassis.
 - d. Close the system doors.

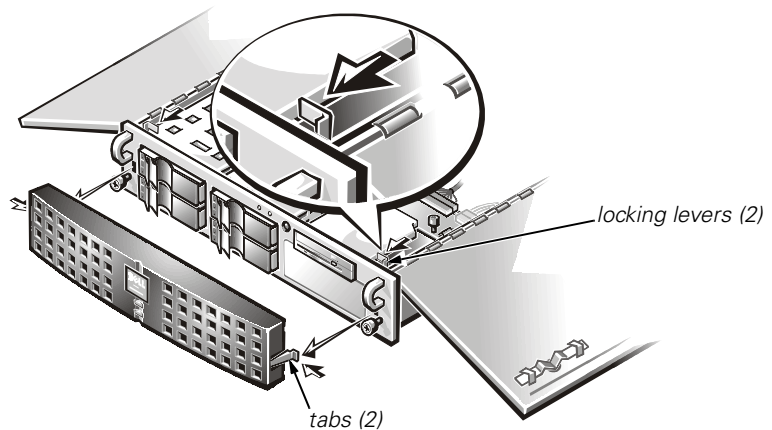


Figure 1-9. Removing the System Bezel

3. Lift the system into position.

Place one hand on the front-bottom of the system and the other hand on the back-bottom of the system.
4. Tilt the system while aligning the back shoulder nuts on the sides of the system with the back slots on the slide assemblies (see Figure 1-10).

- Engage the back shoulder nuts in the slot just behind the back (green) latch first, followed by the middle shoulder nut in the slot near the middle (yellow) latch. Finally, engage the front shoulder nut in the front slot.
- Push the system inward on the slide assemblies until the middle (yellow) latch clicks into place, locking the slide to the middle shoulder nut (see Figure 1-10).

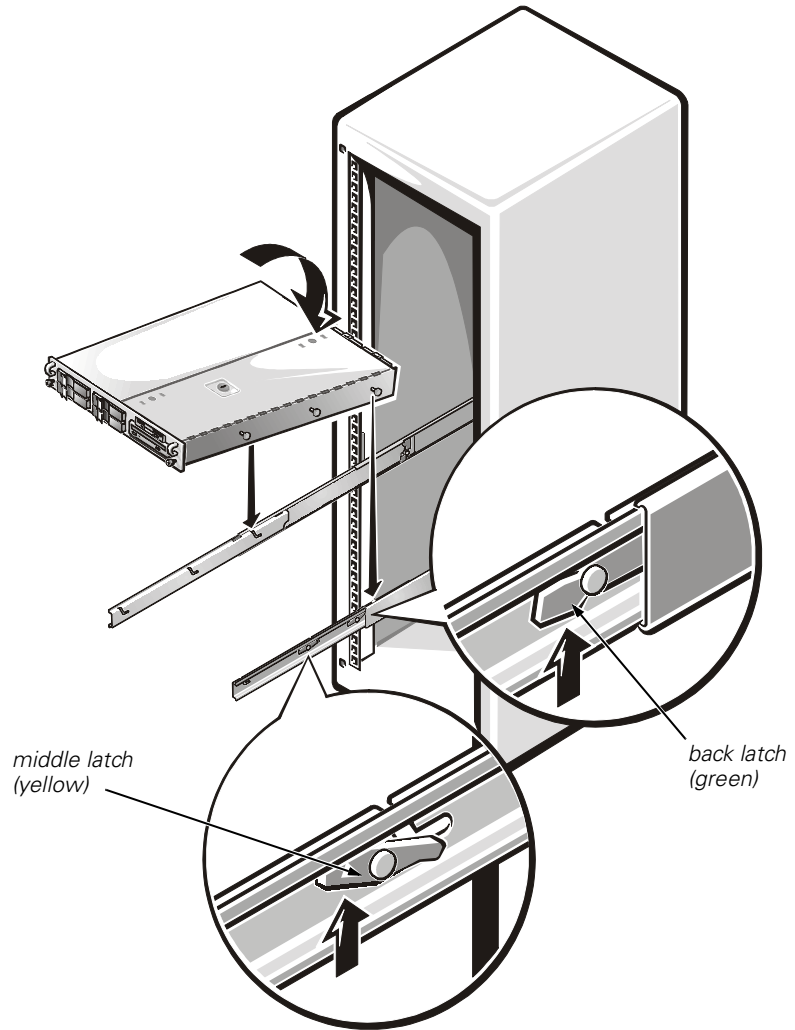


Figure 1-10. Installing the System in the Rack

- Press up on the green latches and push the chassis into the rack.
- Tighten the captive thumbscrews on each side of the front chassis panel.
- If present, install the optional front bezel.

Installing the Cable-Management Arm

1. Facing the back of the rack cabinet, locate the threaded hole on the back of the slide assembly and secure the end of the cable-management arm (the end having a bracket and thumbscrew) to the right side vertical rail (see Figure 1-11).

The bracket snaps into the square mounting holes on the vertical rail and is secured with the captive thumbscrew.

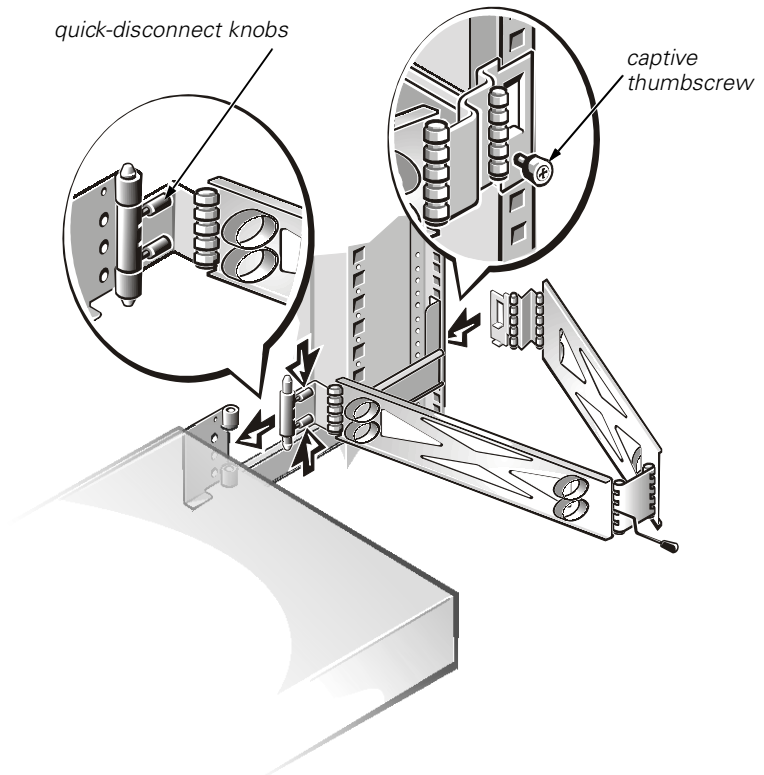


Figure 1-11. Installing the Cable-Management Arm

2. Align the free end of the cable-management arm (the end with the half-hinge) to the hinge-half mate on the back-right side (as viewed from the back) of the system.
3. Squeeze the quick-disconnect knobs on the free end of the cable-management arm and align the two hinge halves to attach the arm to the bracket on the back of the system chassis (see Figure 1-11).
4. Attach the input/output (I/O) cables to their respective expansion cards on the back of the system.

5. Install the strain-relief bracket to the back of the system (see Figure 1-12):
 - a. Thread the I/O cables you connected in step 4 through the slots of the strain-relief bracket.
 - b. Insert the ends of the four long portions of the strain-relief bracket into the four matching holes beside the hinge bracket.
 - c. Secure the captive thumbscrew to the back of the system.

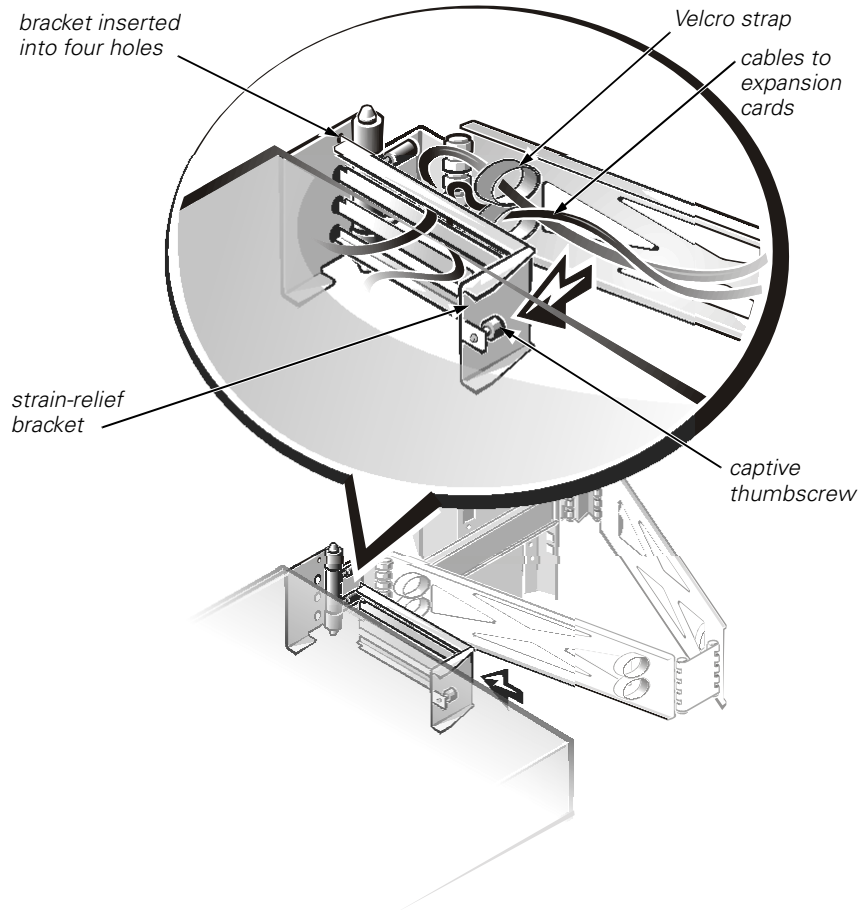


Figure 1-12. Attaching the Strain-Relief Bracket

6. Connect the remaining cables to the system.

For details, see your system's *Installation and Troubleshooting Guide* or the *User's Guide*.

7. Secure the cables to the cable-management arm:
 - a. After connecting the cables to the system, unscrew the thumbscrews that secure the front of the server to the front vertical rail.
 - b. Slide the system forward to the fully extended position.
 - c. Route the cables along the cable-management arm, allowing some additional cable slack at the hinge positions, and secure the cables to the cable-management arm with the Velcro straps attached to the cable-management arm.
8. Slide the system in and out of the rack to verify that the cables are routed correctly and do not bind, stretch, or pinch with the movement of the cable-management arm.



NOTE: As you pull the system out to its furthest extension, the slide assemblies will lock in the extended position. To push the system back into the rack, press the green locking latch on the side of the slide to release the locks, and then slide the system completely into the rack.

Replacing the Doors

This procedure provides instructions for replacing doors on Dell 24-U and 42-U racks. If you have a Dell PowerEdge 4210 rack, see the procedures contained in the *Dell PowerEdge 4210 Rack Installation Guide*.



CAUTION: To prevent personal injury due to the size and weight of the doors, never attempt to remove or replace the doors by yourself.

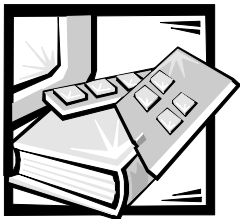
To replace the 24-U rack's front and back doors, perform the following steps:

1. Lift the front door into position and align the hinges with the hinge insert in the rack as shown in Figure 1-4.
2. Slide the hinge pins into the hinge insert in the rack until the hinges lock into position.
3. Verify that the hinges are latched.
4. Close the door latch by rotating the handle counterclockwise until it stops (see Figure 1-2).
5. Repeat steps 1 through 4 to replace the back door.

To replace the 42-U rack's front and back doors, perform the following steps:

1. Lift the front door into position and align the hinges with the holes in the rack as shown in Figure 1-5.
2. Slide the hinges into the holes in the rack until the hinge release levers lock the hinges into position.

3. Verify that the hinges are latched.
4. Close the door latch by rotating the handle counterclockwise until it stops, push in the handle until it locks in position, and slide the cover down over the push-button (see Figure 1-3).
5. Repeat steps 1 through 4 to replace the back door.



Index

B

bracket
 strain-relief, 1-14

C

cable management arm, 1-13, 1-15
 installing, 1-13
 routing cables, 1-15
cables, 1-15
cautions, iii
computer
 bezel removal, 1-11
 installing in rack, 1-11, 1-12
contents of rack kit, 1-1

D

Dell web site, 1-8
doors
 opening latch, 1-3, 1-4, 1-5
 removing, 1-3, 1-6, 1-7
 replacing, 1-15

I

installing, 1-10
 cable management arm, 1-13
 computer, 1-12
 computer in the rack, 1-11
 rack kit, 1-3
 slide assemblies, 1-8

K

kit contents
 illustrated, 1-2
 list of, 1-1

N

notational conventions, iii
notes, iii

R

rack doors
 opening latch, 1-4, 1-5
 removing, 1-3
rack kit contents
 illustrated, 1-2
 list of, 1-1

- rack kit installation
 - slide assemblies, 1-8
- rack unit, 1-8
- removing doors, 1-6
- removing the rack doors, 1-3
- routing cables, 1-15

S

- slide assemblies, 1-10
 - installing, 1-8
- strain-relief bracket
 - installing, 1-14

T

- template, 1-2, 1-9
 - using, 1-9
- tools
 - recommended, 1-2

V

- vertical rails
 - marking, 1-9
 - one rack unit, 1-8

W

- warnings, iii

Dell™ PowerEdge™ 2x50、PowerApp™ 2xx および PowerVault™ 735N システム

ラックインストールガイド

メモ、注意、警告、および危険

本書全体を通して、アイコンとともに、ゴシック体のテキストで表記している箇所があります。これらは、メモ、注意、警告および危険を表し、次のように使用しています。



メモ：操作上、知っておくと便利な情報が記載されています。

注意：ハードウェアの破損またはデータの損失の可能性を示します。また、その問題を回避するための方法も示されています。



警告：問題を回避しないと、軽～中程度のけがを負う可能性があることを示します。



危険：問題を回避しないと、死亡または重傷を負う危険性があることを示します。

本書の内容は予告なく変更されることがあります。
© 2000 年 すべての著作権は Dell Computer Corporation にあります。

Dell Computer Corporation からの文書による許可なしには、いかなる方法においても本書の複製、転載を禁じます。

本書に使用されている商標：Dell、DELL E COM のロゴ、PowerEdge、PowerApp、PowerVault および RapidRails は Dell Computer Corporation の商標です。

本書では、上記記載以外の商標や会社名が使用されている場合があります。これらの商標や会社名は、一切 Dell Computer Corporation に所属するものではありません。



安全にお使いいただくための注意

サーバ、ストレージシステムまたはアプライアンスサーバを損傷から保護するために、以下の安全ガイドラインに従ってください。安全、規則、保証に関する情報の詳細は、お使いのシステムの「システム情報」を参照してください。

メモ、注意、警告、および危険

このガイド全体を通して、アイコンを付けて太字で印刷されているテキストがあります。これらのテキストは、メモ、注意、警告および危険であり、以下のように使用されています。



メモ：システムの操作上、知っておくと便利な情報が記載されています。



注意：ハードウェアの損傷またはデータの損失の可能性があることを示します。また、その危険を回避するための方法も示します。



警告：問題を回避しないと、軽～中程度のけがを負う可能性があることを示します。

危険：問題を回避しないと、死亡または重傷を負う可能性があることを示します。

ラック取り付け製品の注意事項

ラックの安定と安全のために以下の注意事項に従ってください。また、具体的な危険または警告、および手順については、システムとラックに付属のラック設置マニュアルを参照してください。

サーバ、ストレージシステムおよびアプライアンスサーバは、ラック内のコンポーネントと考えます。ですので、「コンポーネント」は、様々の周辺機器やサポート用のハードウェア同様に、すべてのサーバ、ストレージシステムおよびアプライアンスサーバのことを指します。



危険：正面と側面のスタビライザーを取り付けずに Dell システムコンポーネントをラックに設置すると、ラックが転倒して、けがの原因となる場合があります。ですので、必ずスタビライザーを取り付けてから、コンポーネントをラックに設置してください。

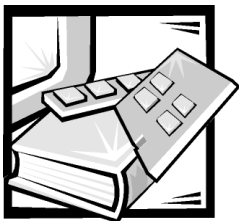
システムコンポーネントをラックに設置したら、一度に複数のコンポーネントをスライドアセンブリに引き出さないでください。複数のコンポーネントを引き出すと、重みでラックが転倒し、けがの原因となる場合があります。



メモ：Dell のサーバ、ストレージシステムおよびアプライアンスサーバは、Dell カスタマーキットを使って Dell のラックキャビネットに設置し使用するためのコンポーネントとして認定されています。Dell システムおよびラックキットを他社製のラックキャビネットに設置した場合の安全性は、一切認定されていません。Dell システムおよびラックキットを他社製のラックキャビネットと組み合わせて使用する場合は、認可機関による評価は、お客様の責任においておこなってください。

- システムラックキットは、訓練を受けたサービス技術者が Dell ラックに取り付けることを前提としています。ラックキットを他のラックに設置する場合、そのラックが Dell ラックの仕様に適合していることを確認します。
- 1人で大型ラックを移動しないでください。ラックはサイズが大きく重量もあるので、ラックを移動する場合は少なくとも2人で作業します。
- ラックを使用する前に、スタビライザーがラックに取り付けられており、床まで引き出されていること、またラックの全重量が床にかかっていることを確認します。シングルラックには正面と側面のスタビライザーを、連結マルチラックの場合には正面のスタビライザーを取り付けてから、ラックを使用します。
- コンポーネントをラックに設置する場合は、必ず一番下から順に、また一番重量のあるコンポーネントから設置します。
- ラックからコンポーネントを引き出す前に、ラックが水平で安定していることを確認します。
- コンポーネントのレールリリースラッチを押してラックから取り出したり、ラックに差し込んだりする場合は、スライドレールに指を挟まないように注意してください。
- コンポーネントをラック内に入れたら、レールをロック位置まで引き出し、次にコンポーネントをスライドしてラック内に収めます。
- ラックに電力を供給する AC 電源分岐回路に負荷をかけすぎないようにください。ラックの負荷は、分岐回路の定格の 80% を超えないようにします。
- ラック内のコンポーネントに空気が十分に流れることを確認します。

- ラック内の保守中にシステム／コンポーネントに足をかけたり、上に乗ったりしないでください。



目次

ラックキットの内容	2-1
はじめに	2-2
推奨ツール	2-2
ラックキットの取り付け	2-3
24U または 42U ラックからのドアの取り外し	2-3
スライドアセンブリのラックへの取り付け	2-8
システムのラックへの取り付け	2-11
ケーブル処理アームの取り付け	2-14
ラックのドアの取り付け	2-16

索引

図

図 2-1	ラックキットの内容	2-2
図 2-2	24U ラックキャビネット正面ドアのラッチの開放	2-4
図 2-3	42U ラックキャビネット正面ドアのラッチの解除	2-5
図 2-4	24U ラックキャビネットドアの取り外し	2-6
図 2-5	42U ラックキャビネットドアの取り外し	2-7
図 2-6	ラックユニット	2-8
図 2-7	縦レールにマーキングするときのテンプレートの使い方	2-9
図 2-8	スライドアセンブリの取り付け	2-10
図 2-9	システムベゼルの取り外し	2-11
図 2-10	システムのラックへの取り付け	2-13
図 2-11	ケーブル処理アームの取り付け	2-14
図 2-12	ストレインリリーフブラケットの取り付け	2-15



Dell™ PowerEdge™ 2x50、 PowerApp™ 2xx および PowerVault™ 735N システム ラックインストールガイド

本書では、1 台または複数の Dell PowerEdge 2x50、PowerApp 2xx および PowerVault 735N システムをラックに取り付ける手順について、トレーニングを受けたサービス技術者を対象にして説明します。システムをラックに取り付けるには、それぞれに 1 台のラックキットが必要です。

ラックキットの内容

ラックキットには次の部品が含まれています (図 2-1 参照)。

- RapidRails™ スライドアセンブリ (1 組)
- ケーブル処理アーム (1)
- ストレインリリーフブラケット (1)
- テンプレート (1)



メモ : Dell ラックをシステムとセットで購入した場合、スライドアセンブリはあらかじめラックに取り付けられていることがあります。

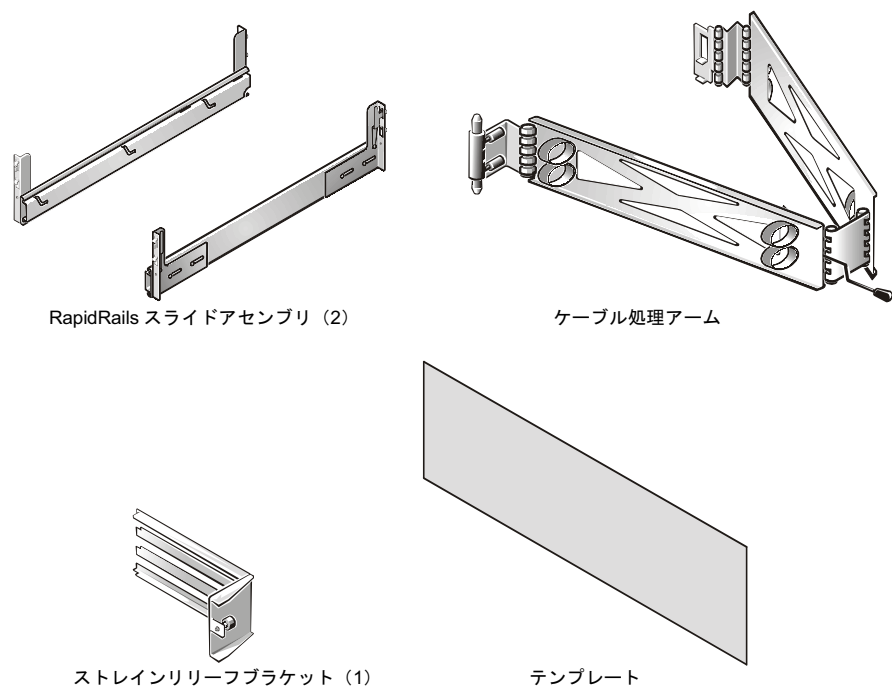


図 2-1 ラックキットの内容

はじめに

ストレージシステムをラックに取り付ける前に、本書で前述した「安全にお使いいただくための注意」をお読みください。

推奨ツール

ラックキットを取り付けるのに工具は必要ではありませんが、次の用品を使うと取り付けが簡単になります。

- 取り付けテンプレート（スライドアセンブリの設置および位置合わせに役立ちます）
- マスキングテープまたはフェルトペン — 使用する設置用の穴に印を付けるために使用します。



ラックキットの取り付け

メモ：システム自体の取り付け手順については、本書で後述する「システムのラックへの取り付け」を参照してください。

ラックにラックキットを取り付けるには、以下の作業をおこないます。

1. ラックの正面および背面ドアを取り外します。
2. スライドアセンブリをラックに取り付けます。

次項では、これらの作業の手順について説明します。

24U または 42U ラックからのドアの取り外し

ラック内部に手が届くようにし、システムの取り付け中にドアを破損しないようにするには、ドアをラックから取り外す必要があります。

この手順に従って、Dell 24U ラックおよび 42U ラックからドアを取り外します。Dell PowerEdge 4210 ラックをお使いの場合、『Dell PowerEdge 4210 ラックインストールガイド』にある手順を参照してください。

ドアを取り外すには、次の手順を実行します。



警告：ドアは、サイズが大きく重量もあります。けがを防ぐために、ドアの取り外しは、絶対に1人で行わないでください。

1. 正面ドアのラッチを解除します。

24U（1U は 1.75 インチ、約 4.5 cm）ラックキャビネットをお持ちの場合は、ロックを解除し、ハンドルを時計回りに回転させてドアを開きます。（図 2-2 参照）。

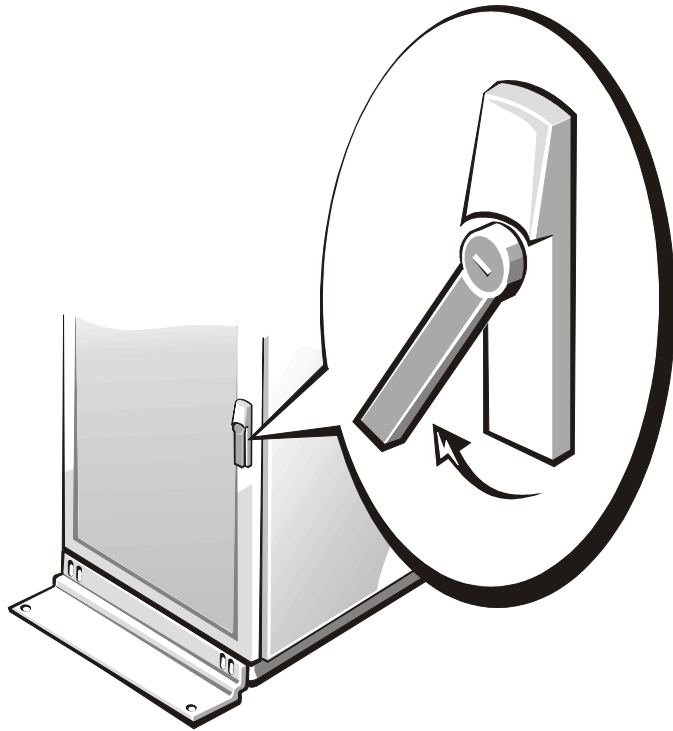


図 2-2 24U ラックキャビネット正面ドアのラッチの開放

42U ラックキャビネットをお持ちの場合は、ラッチのボタンカバーをできる限り上にスライドさせ、押しボタンを押し、ハンドルを時計回りに回転させてラッチを解除し、ドアを手前に開きます（図 2-3 参照）。

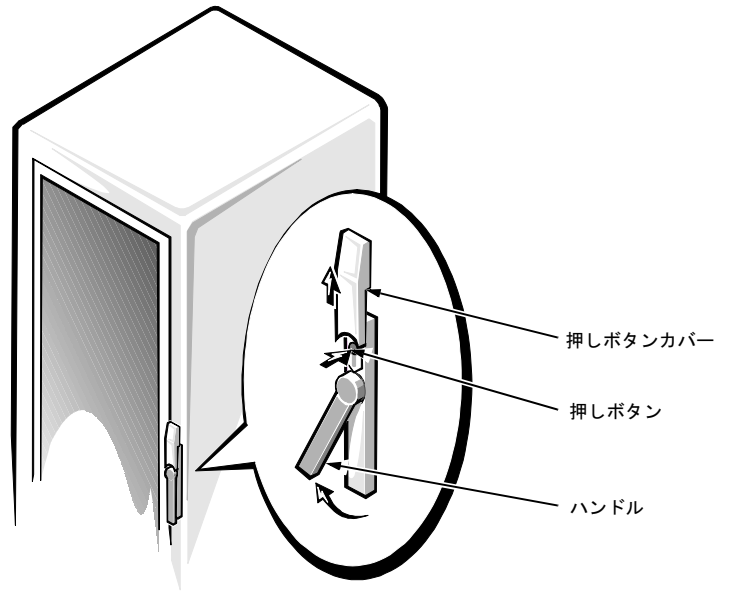


図 2-3 42U ラックキャビネット正面ドアのラッチの解除

2. ラックの正面ドアを取り外します。

24U ラックキャビネットをお使いの場合、次の手順を実行します（図 2-4 参照）。

- a. ドアを開けたまま、すべてのヒンジピンを持ち上げて完全に引き抜きます。
- b. ドアを注意深く持ち上げて外します。

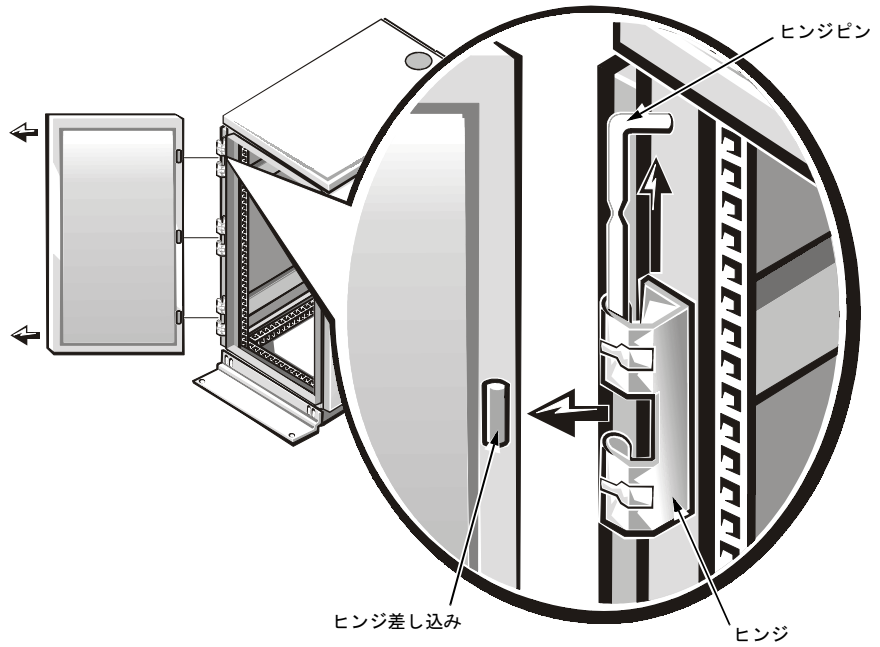


図 2-4 24U ラックキャビネットドアの取り外し

42U ラックキャビネットをお使いの場合、次の手順を実行します（図 2-5 参照）。

- a. 1人がドアの上部を押さえて安定させます。もう1人は、ドアの底部を押さえます。
- b. 底部を持っている人が、底部のヒンジにある取り外しレバーを押し、ドアの底部を 8 cm 前後、ラックから引き離します。
- c. ドアの上部を持っている人が、上部のヒンジにある取り外しレバーを押し、ドアをラックから取り外します。

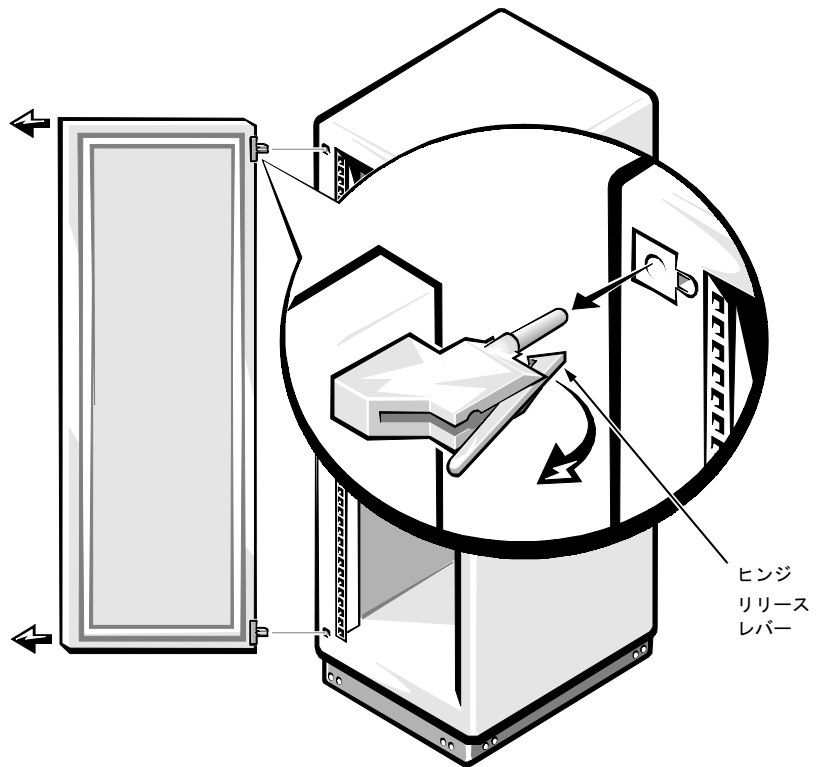


図 2-5 42U ラックキャビネットドアの取り外し

3. 手順 1 と 2 を繰り返して、背面ドアをラックから取り外します。
4. ラックにキットを取り付けている間、ドアは倒れないような場所に置いておきます。

スライドアセンブリのラックへの取り付け



メモ：あらかじめスライドアセンブリが取り付けられている場合、この項はとばしてください。

ラックに取り付けるシステムについて、それぞれ縦に 2U (8.8 cm) の間隔をとる必要があります。



メモ：ラックの縦レールには、1U 間隔で小さな刻み目が付いています（図 2-6 参照）。

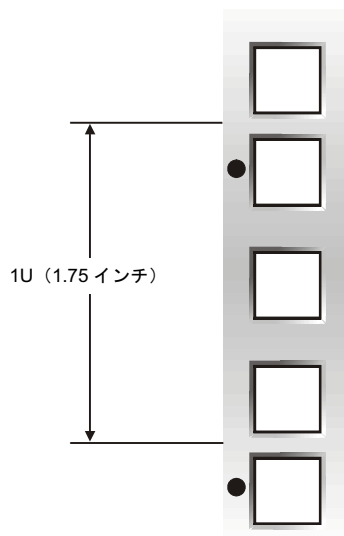


図 2-6 ラックユニット

コンポーネントの Dell ラックへの取り付けに関する要件についての詳細は、Dell のウェブサイト <http://support.jp.dell.com> から入手できる Dell Rack Advisor ソフトウェアを参照してください。



警告：複数のシステムを取り付ける場合、最初のシステムをラックの可能な限り最も低い位置に取り付けられるようにスライドアセンブリを取り付けます。

スライドアセンブリをラックへ取り付けするには、以下の手順を実行します。

1. テンプレートの表側を、システムを取り付けるラックの前面の縦レールに当てます。

テンプレートの印字面が外側を向いていて、テンプレートが表側になっていることを確認します。

2. システムの上下の端の取り付け位置を、フェルトペンまたはマスキングテープでラック正面の縦レールにマーキングします（図 2-7 参照）。
3. テンプレートの V 型の切り欠きに合わせて縦レールにマーキングするかテープを貼ります。

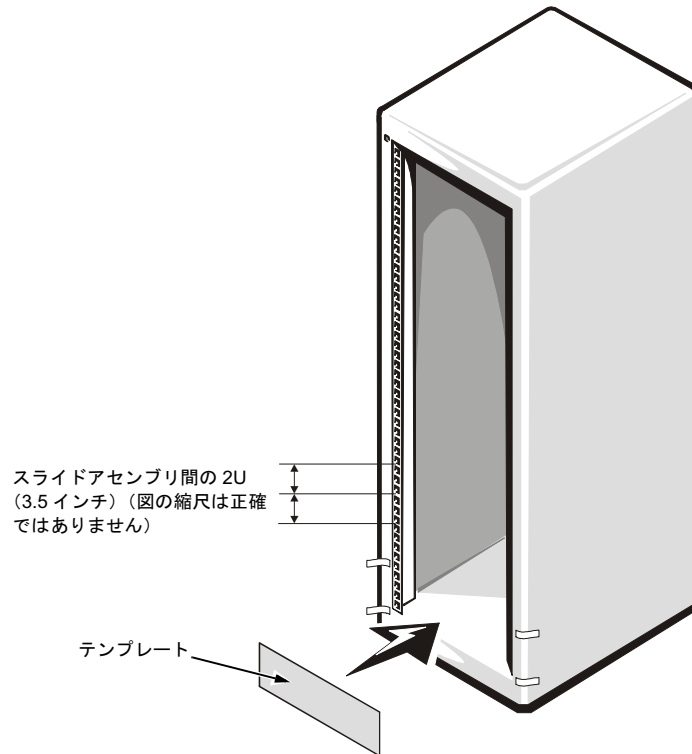


図 2-7 縦レールにマーキングするときのテンプレートの使い方

4. ラックキャビネットの前面で、取り付けブラケットのフランジがラックにつけたマーキングまたはテープの間に収まるように、テンプレートの上端および下端にマーキングしてスライドアセンブリの 1 つを位置決めします（図 2-8 参照）。

取り付けブラケットのフックは、テンプレートの V 型の切り欠きからマーキングに合わせます。

5. スライドアセンブリの前側にあるスライドアセンブリ取り付けブラケットフランジを、正面縦レールの四角い穴と位置を合わせます (図 2-8 参照)。
6. 固定タブが縦レールの四角い穴に固定されて、押しボタンがカチッと音が鳴り、わずかに浮き上がるまで押し込みます。
7. スライドアセンブリ取り付けブラケットフランジ背面を、取り付けフックが対応する縦レールの四角い穴にロックされるまで押し戻します。
8. 手順 1 ～ 7 を繰り返して、反対側のラックに残りのスライドアセンブリを取り付けます。

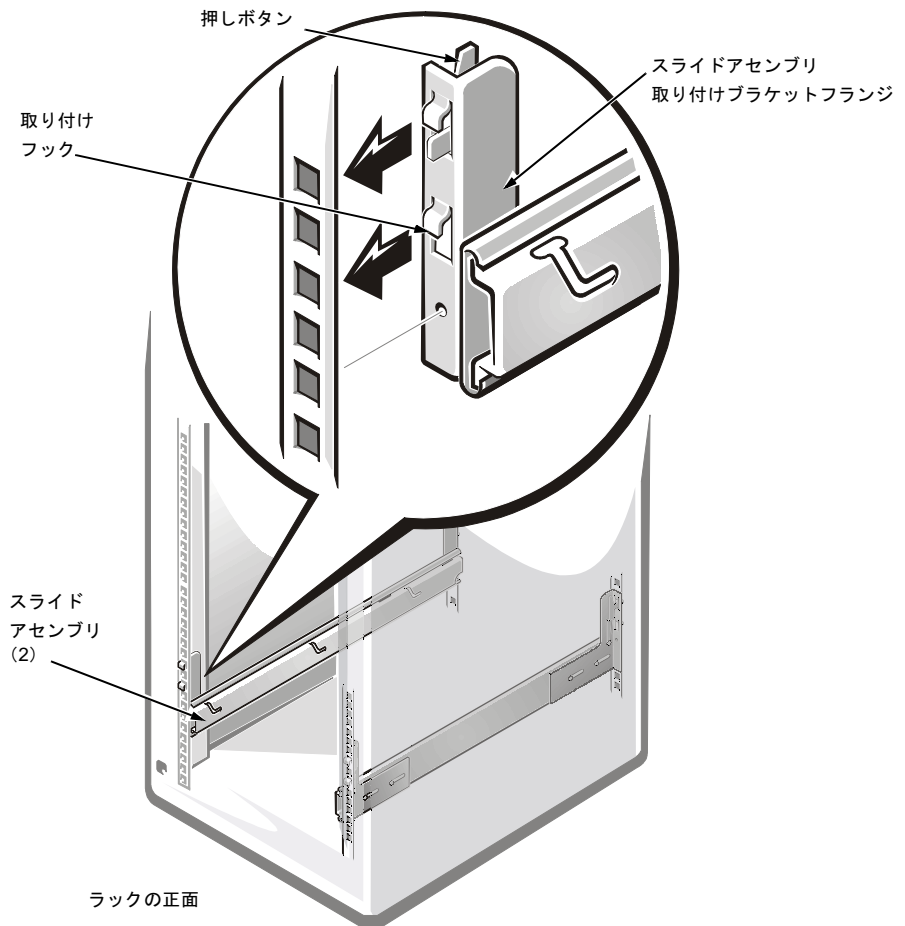


図 2-8 スライドアセンブリの取り付け

システムのラックへの取り付け

次項では、ラックへのシステムを取り付ける手順を説明します。



警告：複数のシステムを取り付ける場合、最初のシステムは可能な限りラックの一番低い位置に取り付けてください。一度に複数のコンポーネントをラックから引き出すことは、絶対にしないでください。

1. 2本の内部スライドアセンブリを引き伸ばし、ロックされるまでラックの外に引き出します。



警告：システムは大きくて重量があります。システムのスライドアセンブリへの取り付けは1人でおこなわないでください。



メモ：システムにオプションのベゼルが取り付けられていない場合、手順3をとばしてください。

2. システムの正面パネルからオプションのベゼルを取り外します（図 2-9 参照）。
 - a. システムドアのロックを解除し、開きます。
 - b. 2つのロックレバーをシャーシの背面へ回します（図 2-9 参照）。
 - c. ベゼルの両端のタブを押し、ベゼルをシャーシから取り外します。
 - d. システムドアを閉じます。

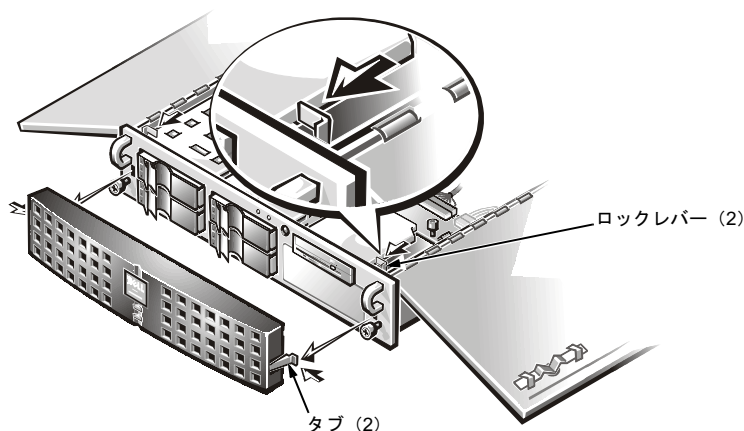


図 2-9 システムベゼルの取り外し

3. システムを取り付ける位置まで持ち上げます。

一方の手はシステム正面の底部に、もう片方の手はシステム背面の底部に置きます。

4. システム側面にある背面段つきナットをスライドアセンブリの背面スロットに合わせながら、システムを傾けます（図 2-10 参照）。
5. 最初に背面（緑色）ラッチの後ろにスロットの背面段つきナットを、次に中央（黄色）ラッチに中央段つきナットを、最後に正面スロットに正面段つきナットを組み合わせます。
6. 中央（黄色）ラッチが定位置でカチッと音が鳴るまでスライドアセンブリをシステム内部へ押し込みます。中央段つきナットにロックされます。（図 2-10 参照）。

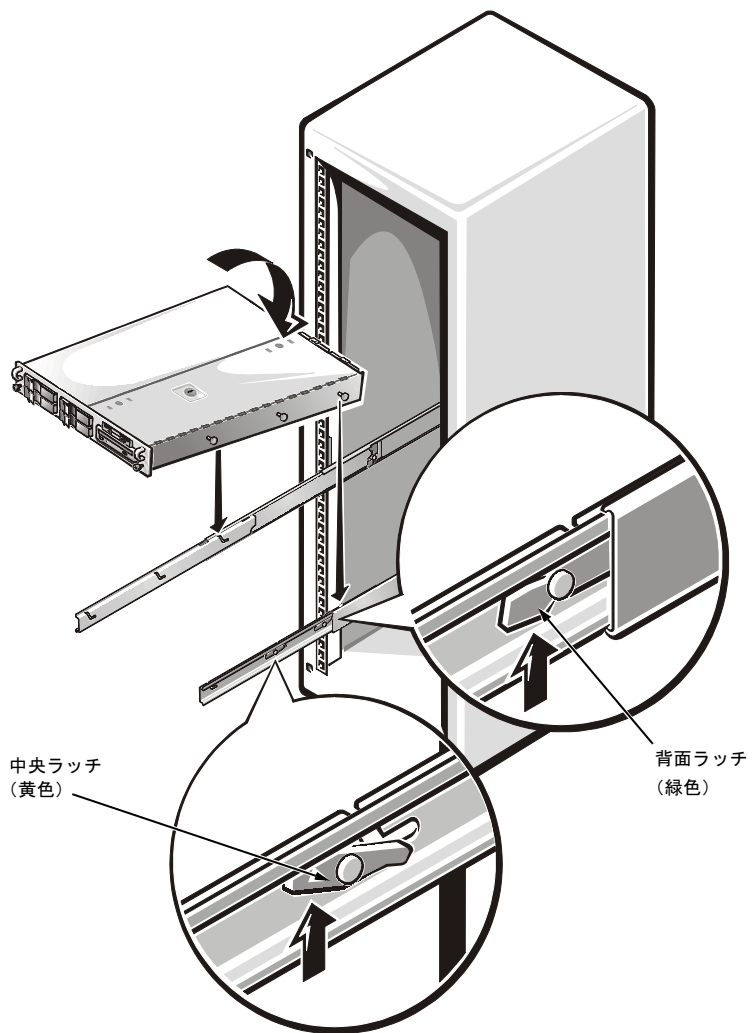


図 2-10 システムのラックへの取り付け

7. 緑色のラッチを押し上げ、ラックにシャーシを押し込みます。
8. 正面シャーシパネルの両側にある留めネジを締めます。
9. 存在する場合、オプションの正面ベゼルを取り付けます。

ケーブル処理アームの取り付け

1. ラックキャビネットの背面を手前に向け、スライドアセンブリの後部にある長穴を探して、ケーブル処理アームの端（ブラケットと留めネジが付いている側）を右側の縦レールに固定します（図 2-11 参照）。

ブラケットを縦レールにある四角い取り付け穴にカチッと音がするようにはめ込み、つまみネジで固定します。

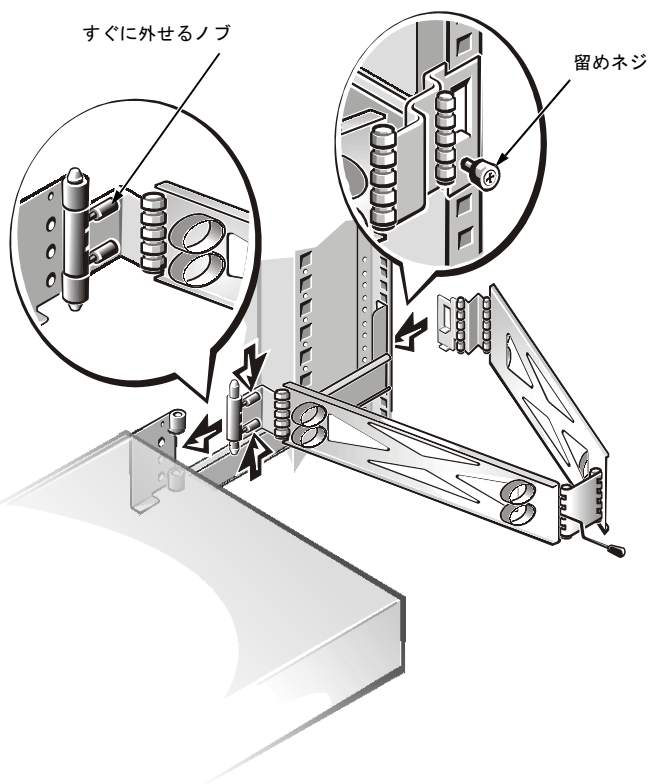


図 2-11 ケーブル処理アームの取り付け

2. ケーブル処理アーム（ヒンジハーフを持つ）の固定されていない方の端にシステム背面右側にあるヒンジハーフ（背面から見える）のもう一方に合わせます。
3. ケーブル処理アームの固定されていない方の端にすぐを外せるノブを押し込みます。二つのヒンジハーフをシステムシャーシ背面のブラケットにアームを取り付けるように合わせます（図 2-11 参照）。

4. システムの背面にある、それぞれの拡張カードに I/O ケーブルを取り付けます。
5. システムの背面にストレインリリーフブラケットを取り付けます（図 2-12 参照）。
 - a. 手順 4 で取り付けた I/O ケーブルをストレインリリーフブラケットのスロットに通します。
 - b. ヒンジブラケット側の 4 つの対応する穴に、ストレインリリーフブラケットの 4 つの長穴の端を挿し込みます。
 - c. 留めネジをシステムの背面に固定します。

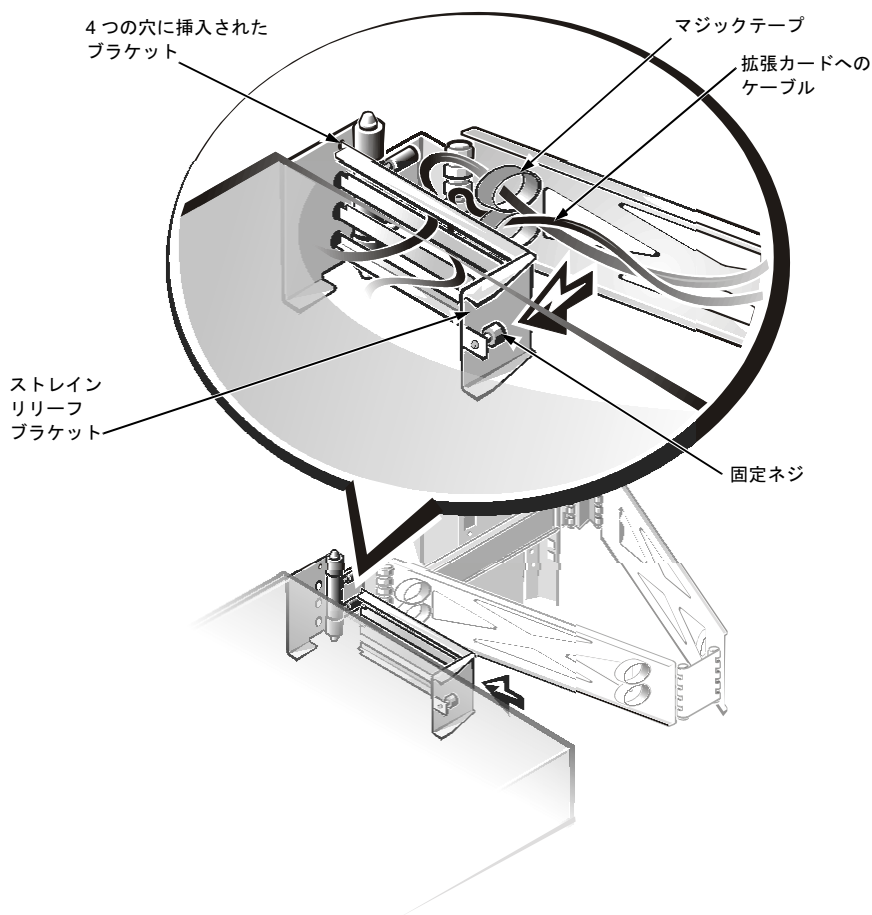


図 2-12 ストレインリリーフブラケットの取り付け

6. 残りのケーブルをシステムに接続します。

詳細は、お使いのシステムの『インストール & トラブルシューティング』および『ユーザーズガイド』を参照してください。

7. ケーブル処理アームにケーブルを固定します。

- a. ケーブルをシステムに接続してから、サーバの前面を前側縦レールに固定しているつまみネジをゆるめます。
 - b. システムを一番手前まで引き出します。
 - c. ヒンジ部分でいくぶんたるみを持たせるようにしてケーブルをケーブル処理アームに沿って配線し、ケーブル処理アームに付いているマジックテープでケーブルをケーブル処理アームに固定します。
8. システムをラックから出し入れして、ケーブルが正しく配線されていること、およびケーブル処理アームが動いたときに、ケーブルが絡まったり、引っ張られたり、はさまれたりしないことを確認してください。



メモ：システムを一番手前まで引き出すと、その位置でスライドアセンブリがロックされます。システムをラックに押し戻すには、スライドの側面にあるロックラッチを押してロックを解除し、システムをラックの中に完全に戻します。

ラックのドアの取り付け

この手順に従って、Dell 24U ラックおよび 42U ラックにドアを取り付けます。Dell PowerEdge 4210 ラックをお使いの場合、『Dell PowerEdge 4210 ラックインストールガイド』を参照してください。



警告：ドアは、サイズが大きく重量もあります。けがを防ぐため、ドアの取り外しや取り付けは1人で行わないでください。

24U ラックの正面と背面のドアを取り付けるには、次の手順を実行します。

1. 正面ドアを持ち上げ、図 2-4 で示すようにヒンジをラックの穴に合わせます。
2. ヒンジが所定の位置に固定されるまで、ヒンジピンをラックのヒンジ差し込み口に押し込みます。
3. ヒンジがかかっていることを確かめます。

4. ハンドルが止まるまで反時計回りに回してドアのラッチを閉じます（図 2-2 参照）。
5. 1 から 4 の手順を繰り返して背面ドアを取り付けます。

42U ラックの正面と背面のドアを取り付けるには、次の手順を実行します。

1. 正面ドアを持ち上げ、図 2-5 で示すようにヒンジをラックの穴に合わせます。
2. ヒンジリリースレバーがヒンジを正しい位置に固定するまで、ヒンジをスライドしてラックの穴に差し込みます。
3. ヒンジがかかっていることを確かめます。
4. ハンドルを反時計回りに止まるまで回してドアラッチを閉じ、ハンドルが所定の位置にロックするまで押します。次にカバーを押しボタンの上にスライドさせます（図 2-3 参照）。
5. 1 から 4 の手順を繰り返して背面ドアを取り付けます。



索引

D

Dell ウェブサイト、2-8

カ

危険、iii

キットの内容

一覧、2-1

イラスト、2-2

警告、iii

ケーブル、2-16

ケーブル処理アーム、2-14, 2-16

ケーブルの配線、2-16

取り付け、2-14

ケーブルの配線、2-16

コンピュータ

ベゼルの取り外し、2-11

ラックへの取り付け、2-11, 2-13

サ

ストレインリリーフブラケット

取り付け、2-15

スライドアセンブリ、2-10

取り付け、2-8

タ

縦レール

マーキング、2-9

ラックユニット、2-8

ツール

推奨、2-2

テンプレート、2-2, 2-9

使い方、2-9

ドア

取り付け、2-16

取り外し、2-3, 2-6, 2-7

ラッチの開放、2-3, 2-4, 2-5

ドアの取り外し、2-6

取り付け、2-10

ケーブル処理アーム、2-14

コンピュータ、2-13

スライドアセンブリ、2-8, 2-10

ラックキット、2-3

ラックへのシステム、2-11

ハ

表記上の注意、iii

ブラケット

ストレインリリーフ、2-15

マ

メモ、iii

ラ

ラックキットの取り付け
スライドアセンブリ、2-8

ラックキットの内容、2-1
一覧、2-1
イラスト、2-2

ラックドア
取り外し、2-3
ラッチの開放、2-4, 2-5

ラックドアの取り外し、2-3

ラックユニット、2-8



00C803 A00

P/N OC803 Rev. A00



Printed in the U.S.A.



www.dell.com
support.dell.com

DELL  **COM**™